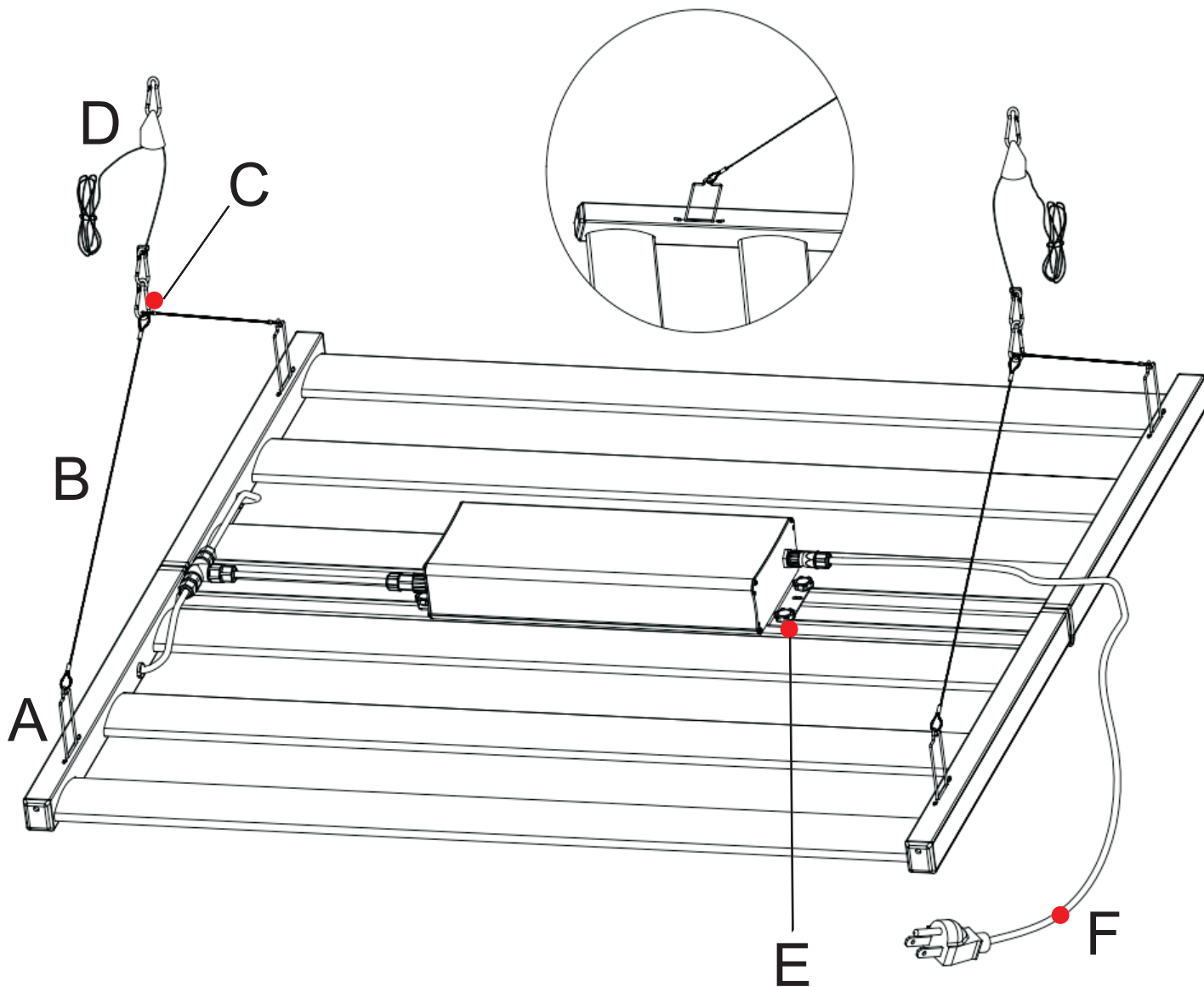


USER MANUAL



FC CE RoHS

Accessories Contents



A: Mounting Clips (4 pcs)

B: 21.26" (54cm) Stainless Steel Ropes (4 pcs)

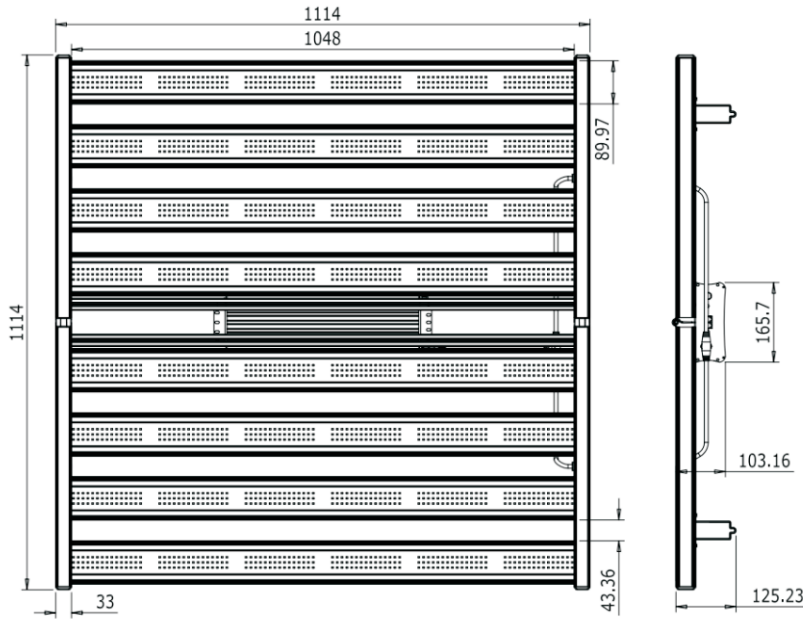
C: Mounting Hooks (2 pcs)

D: Adjustable Ratchet Hangers (2 pcs)

E: Konb screws for Fixing LED Driver Box (4 pcs)

F: AC Power Cord and Plug (1 pc)

Dimension & Weight



Fixture Dimension:
1114mm X 1114mm X 103mm
(43.86" X 43.86" X 4.06")

Fixture Net Weight:
20 kgs (44 lbs) Including Driver box

Package

Luminaire		Driver Box	
Carton Size	118cm X 64cm X 15cm 46.46" X 25.2" X 5.9"	Carton Size	117cm X 34cm X 18cm 46.06" X 13.39" X 7.09"
Weight	13.5 kgs	Weight	12 kgs
Qty. / Ctn.	1 piece	Qty. / Ctn.	1 piece

Luminaire		Driver Box	
Carton Size	118cm X 64cm X 25cm 46.46" X 25.2" X 9.84"	Carton Size	117cm X 53cm X 18cm 29.53" X 20.87" X 7.09"
Weight	25.5 kgs	Weight	24kgs
Qty. / Ctn.	2 pieces	Qty. / Ctn.	2 pieces

Safety Warnings

Warning! The installer is responsible for correct and safe installation.

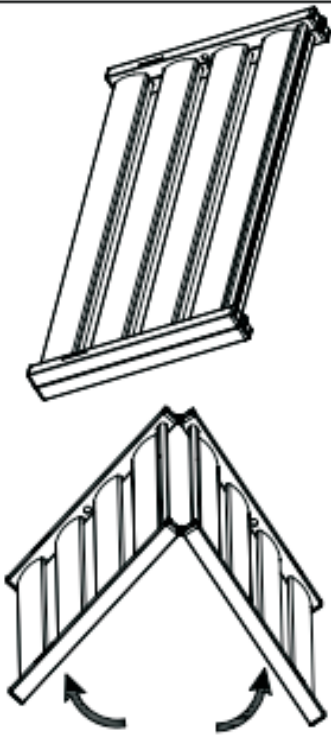
Warning! Do not connect or disconnect the fixture with the driver box while under load.

Warning! Mount the system to something that can hold the weight of the LED fixture.

Warning! Do not touch the leds to avoid damage.

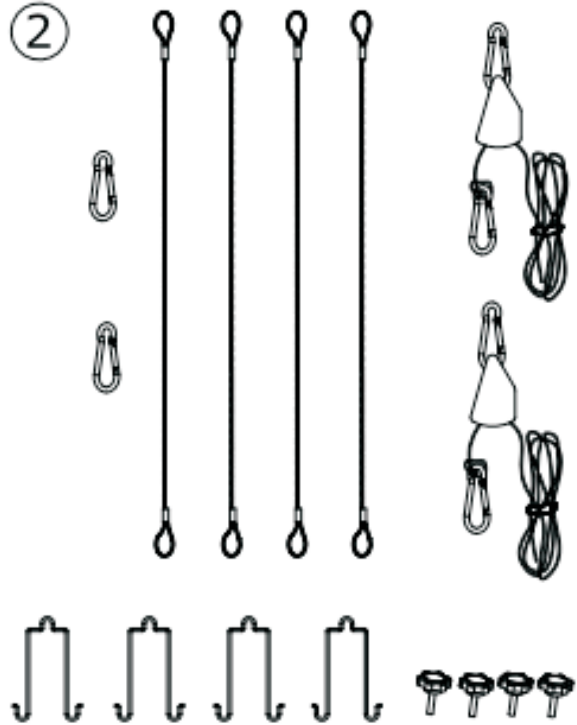
Warning! Switch off the mains power before installation.

1



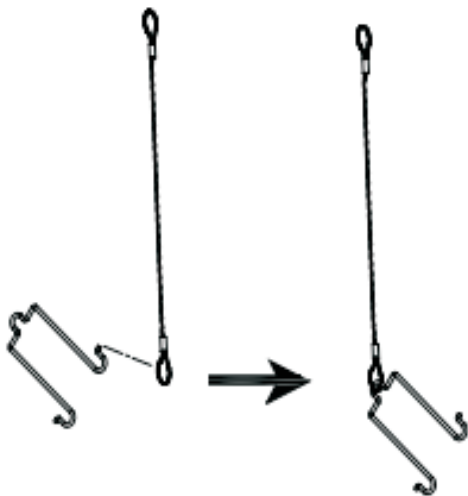
Unfold the LED fixture.

2



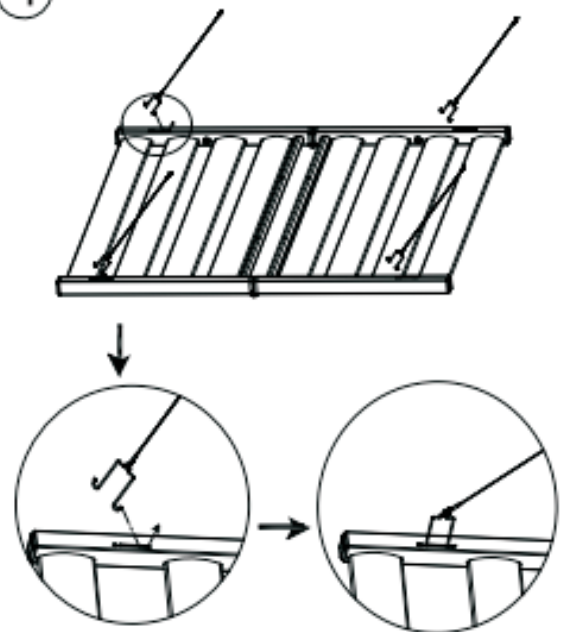
Take out the accessories from bags.

3

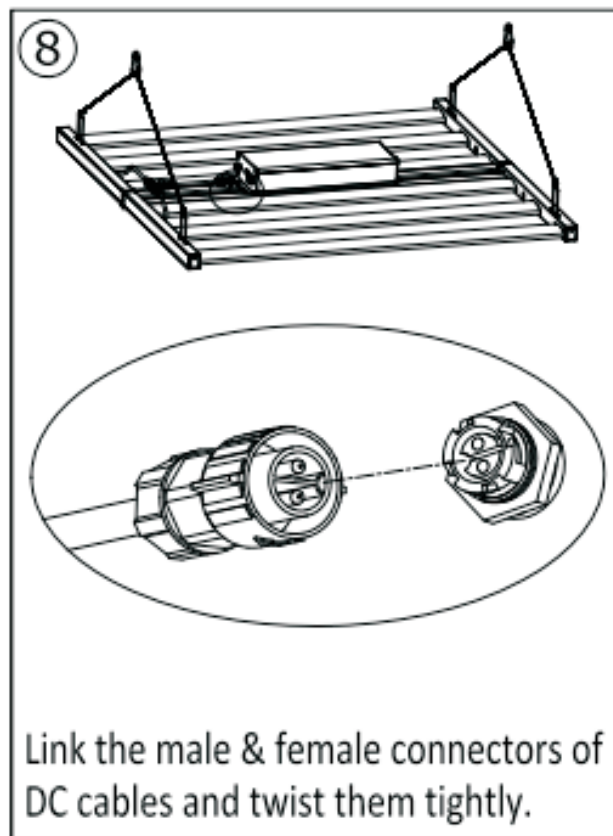
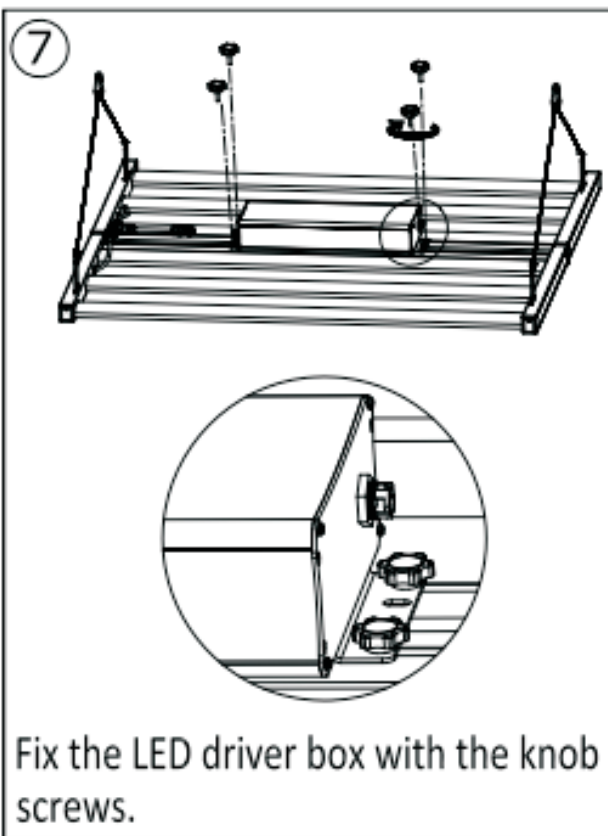
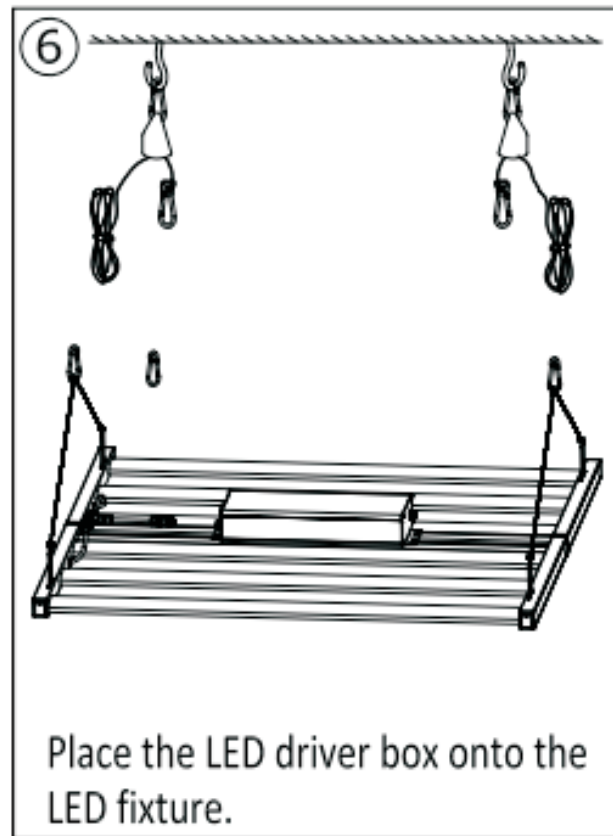
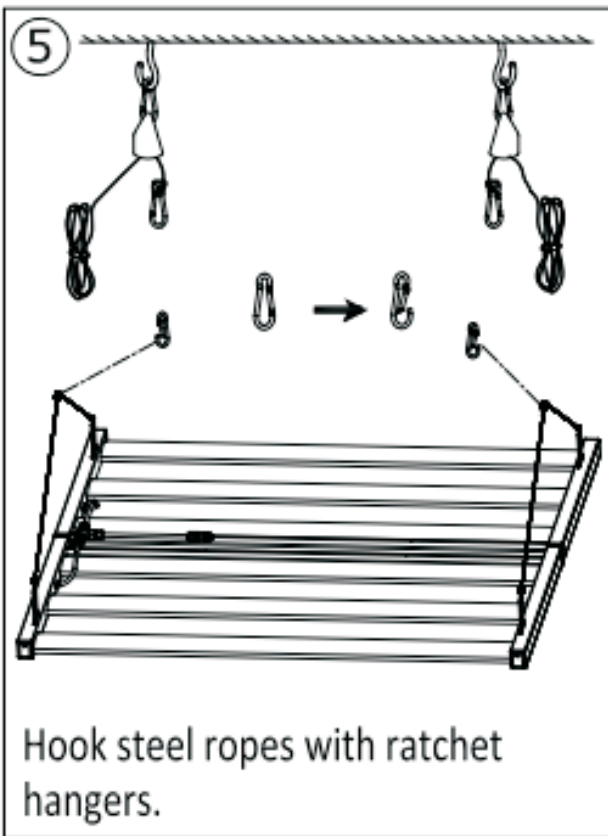


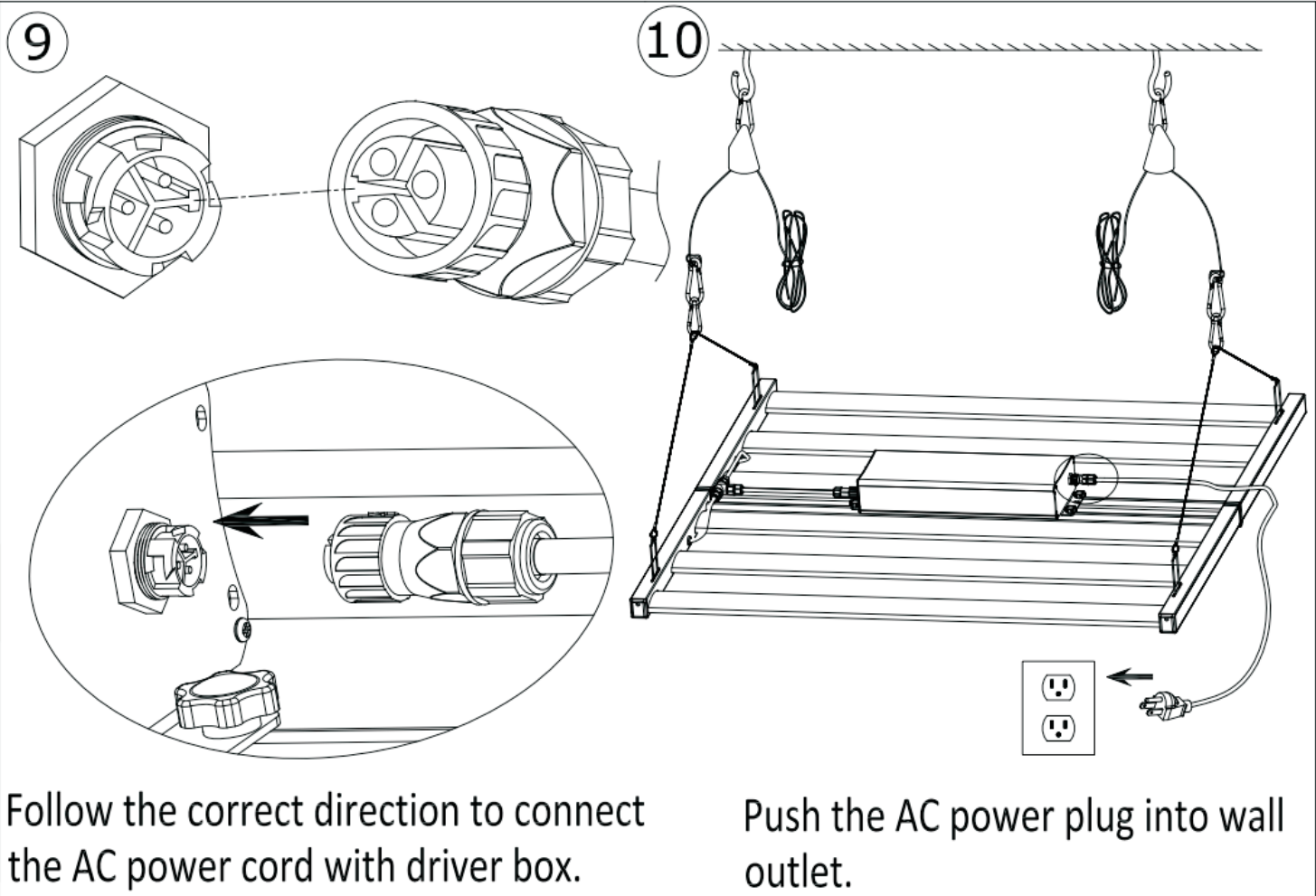
Connect mounting clips with steel ropes.

4



Snap mounting clips into fixture rails.





Follow the correct direction to connect the AC power cord with driver box.

Push the AC power plug into wall outlet.