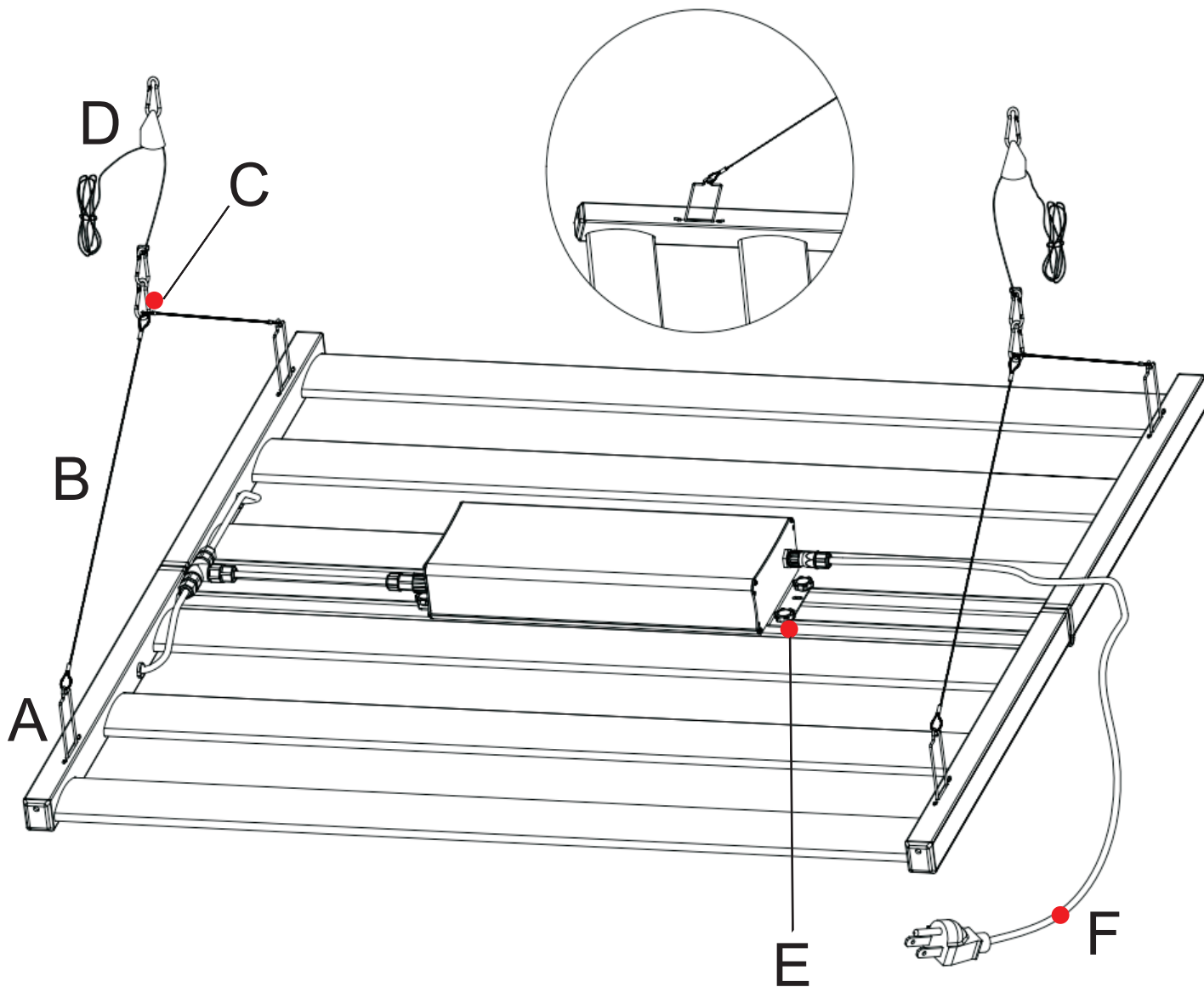


USER MANUAL



FC CE RoHS

Accessories Contents



A: Mounting Clips (4 pcs)

B: 21.26" (54cm) Stainless Steel Ropes (4 pcs)

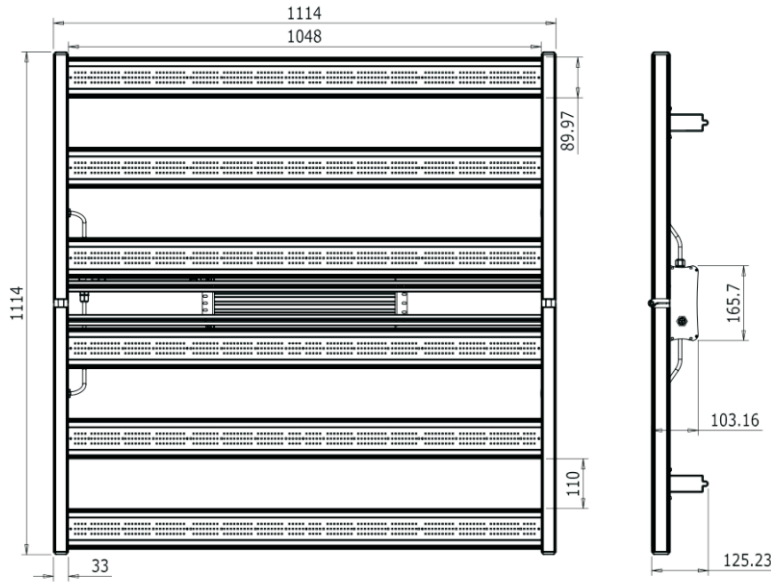
C: Mounting Hooks (2 pcs)

D: Adjustable Ratchet Hangers (2 pcs)

E: Konb screws for Fixing LED Driver Box (4 pcs)

F: AC Power Cord and Plug (1 pc)

Dimension & Weight



Fixture Dimension:
 1114mm X 1114mm X 103mm
 (43.86" X 43.86" X 4.06")

Fixture Net Weight:
 12.8 kgs (28.16 lbs) Including Driver box

Package

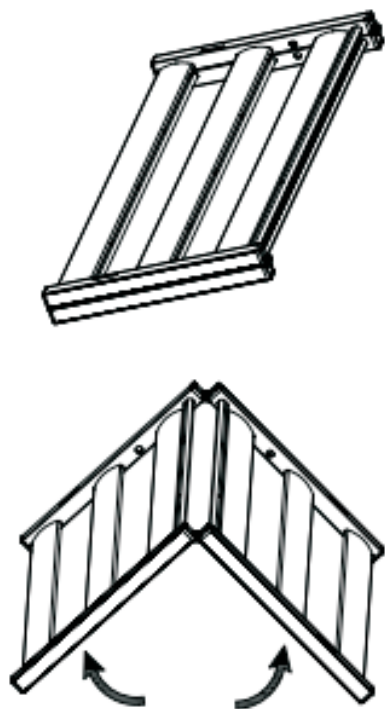
Luminaire		Driver Box (640W)	
Carton Size	118cm X 64cm X 15cm 46.46" X 25.2" X 5.9"	Carton Size	55cm X 34cm X 18cm 21.65" X 13.39" X 7.09"
Weight	11.5 kgs	Weight	6 kgs
Qty. / Ctn.	1 piece	Qty. / Ctn.	1 piece

Luminaire		Driver Box (640W)	
Carton Size	118cm X 64cm X 25cm 46.46" X 25.2" X 9.84"	Carton Size	55cm X 53cm X 18cm 21.65" X 20.87" X 7.09"
Weight	21.5 kgs	Weight	12.5kgs
Qty. / Ctn.	2 pieces	Qty. / Ctn.	2 pieces

Safety Warnings

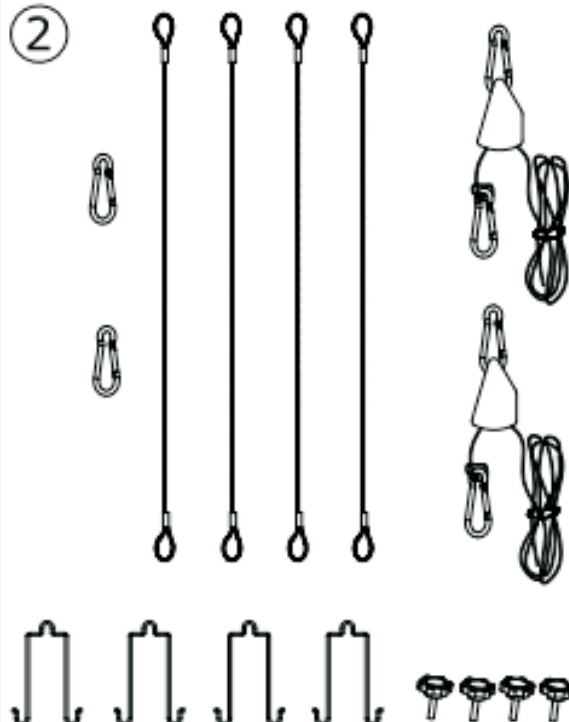
- Warning!** The installer is responsible for correct and safe installation.
- Warning!** Do not connect or disconnect the fixture with the driver box while under load.
- Warning!** Mount the system to something that can hold the weight of the LED fixture.
- Warning!** Do not touch the leds to avoid damage.
- Warning!** Switch off the mains power before installation.

1



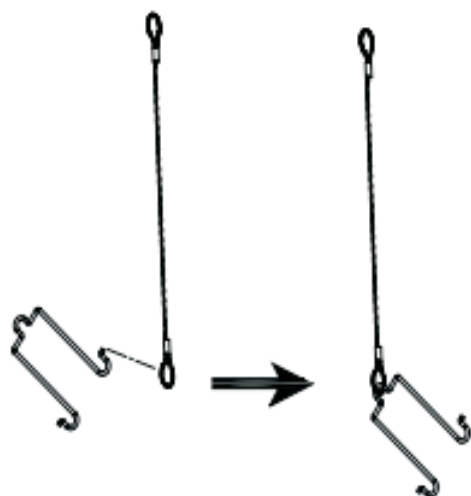
Unfold the LED fixture.

2



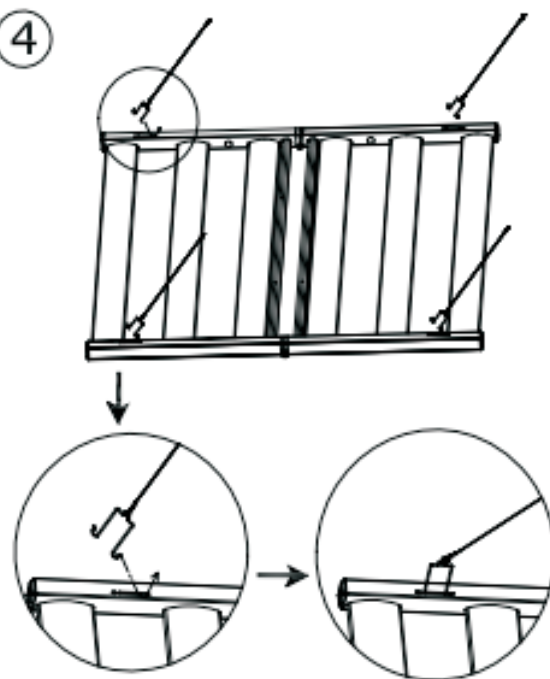
Take out the accessories from bags.

3

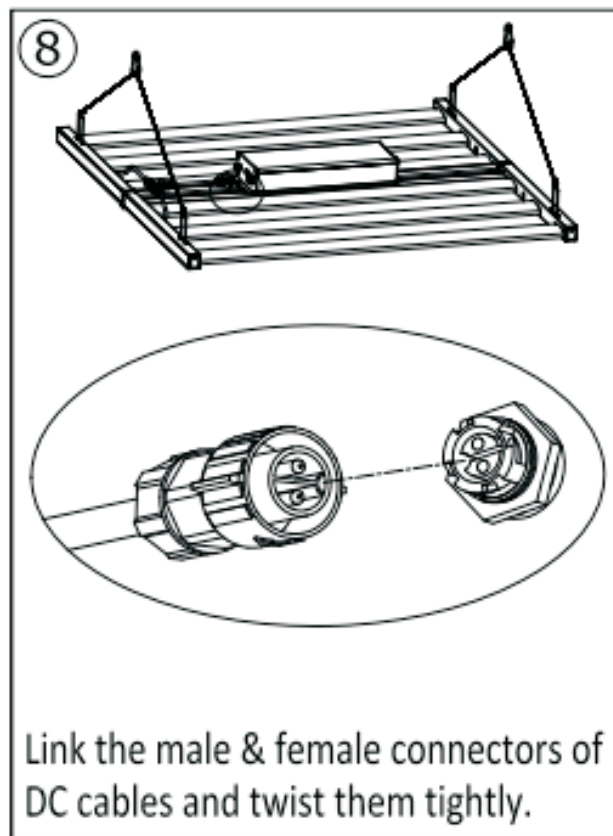
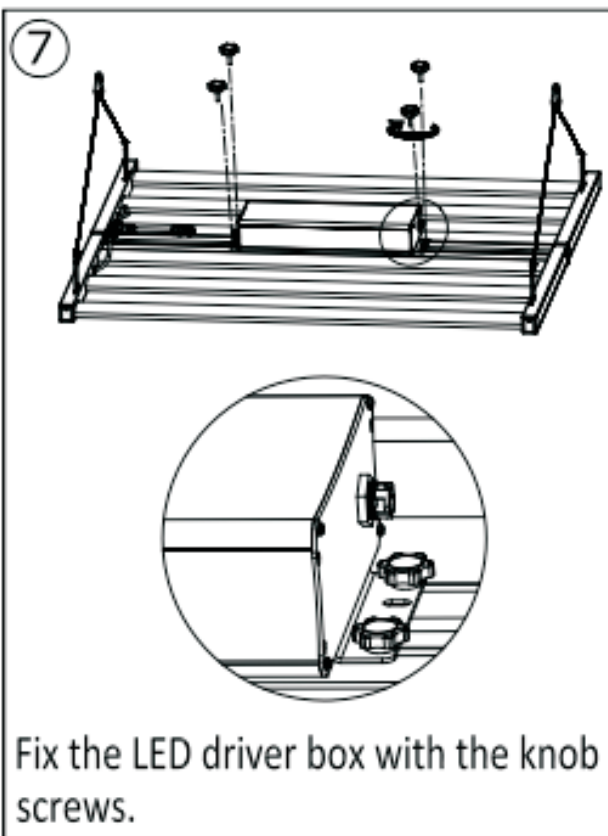
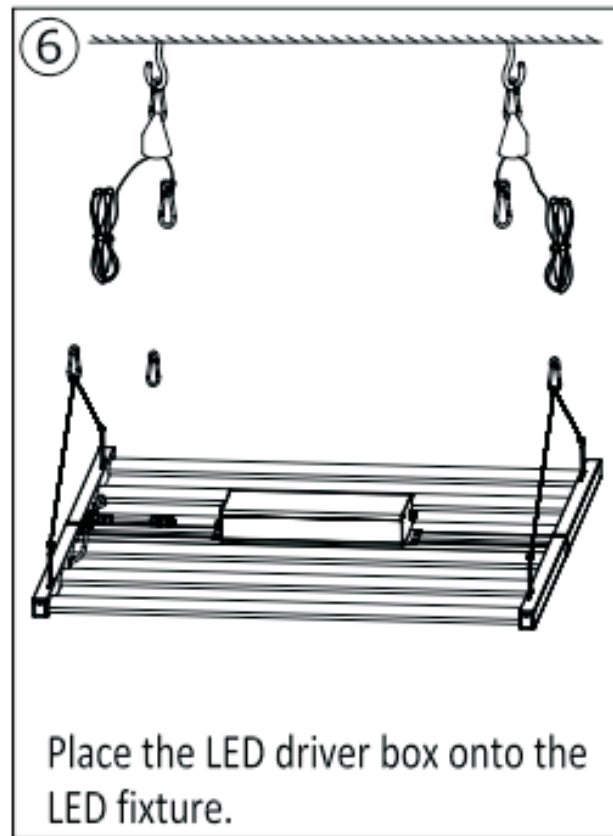
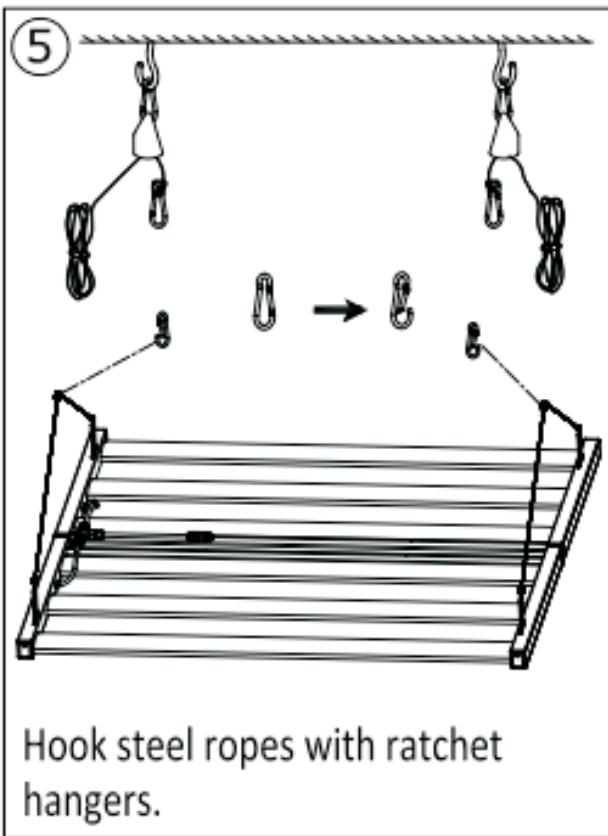


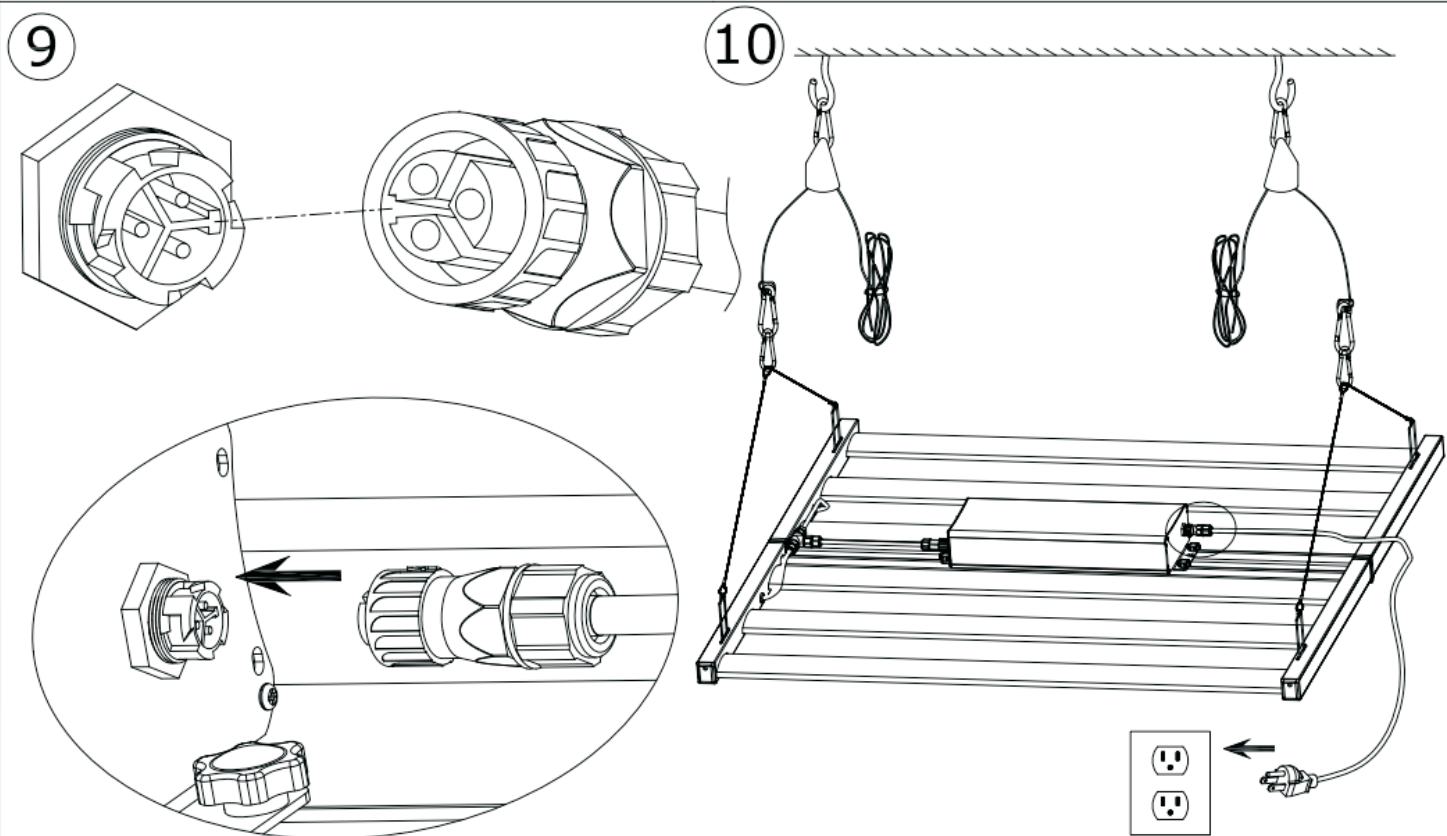
Connect mounting clips with steel ropes.

4



Snap mounting clips into fixture rails.





Follow the correct direction to connect the AC power cord with driver box.

Push the AC power plug into wall outlet.