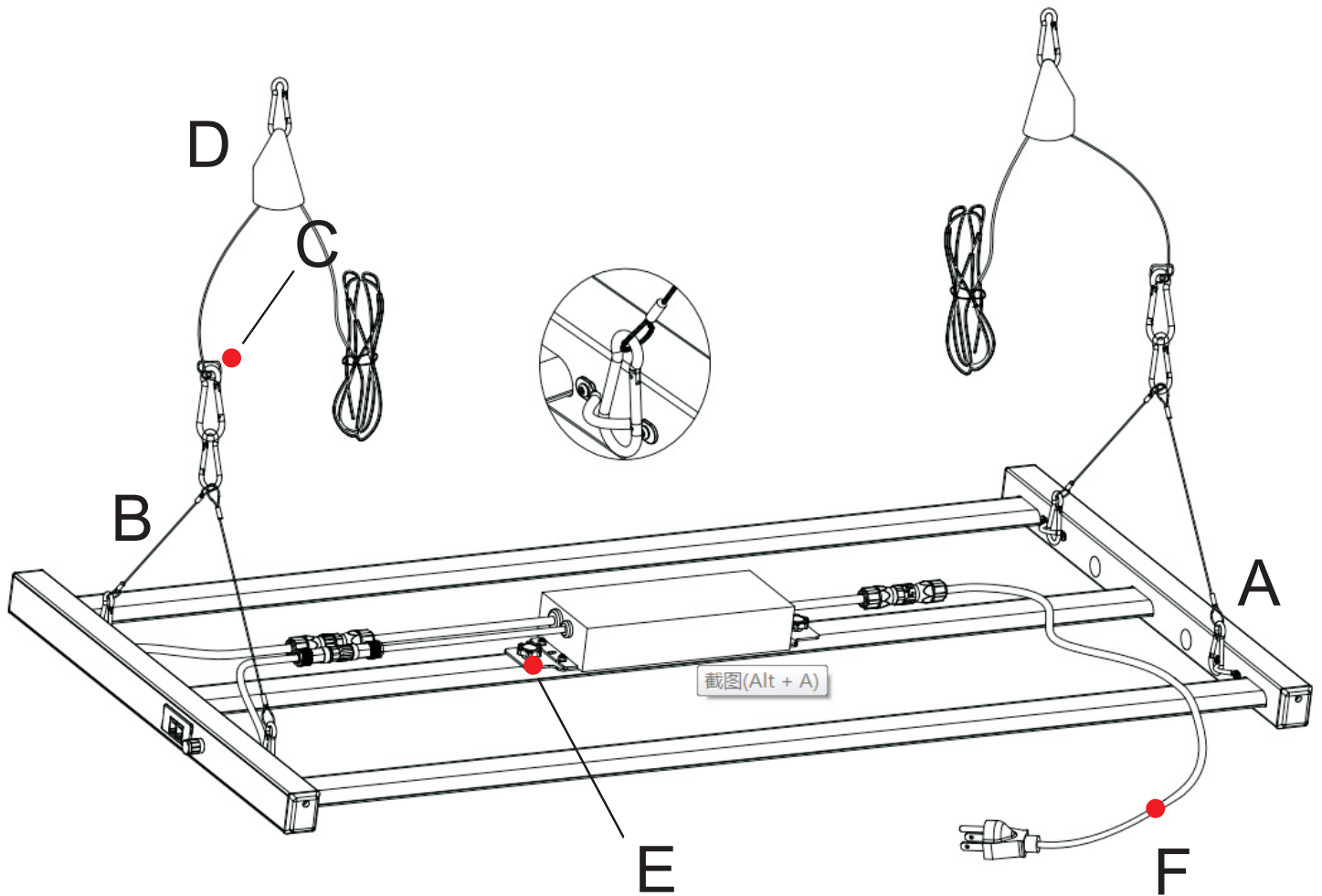


# USER MANUAL



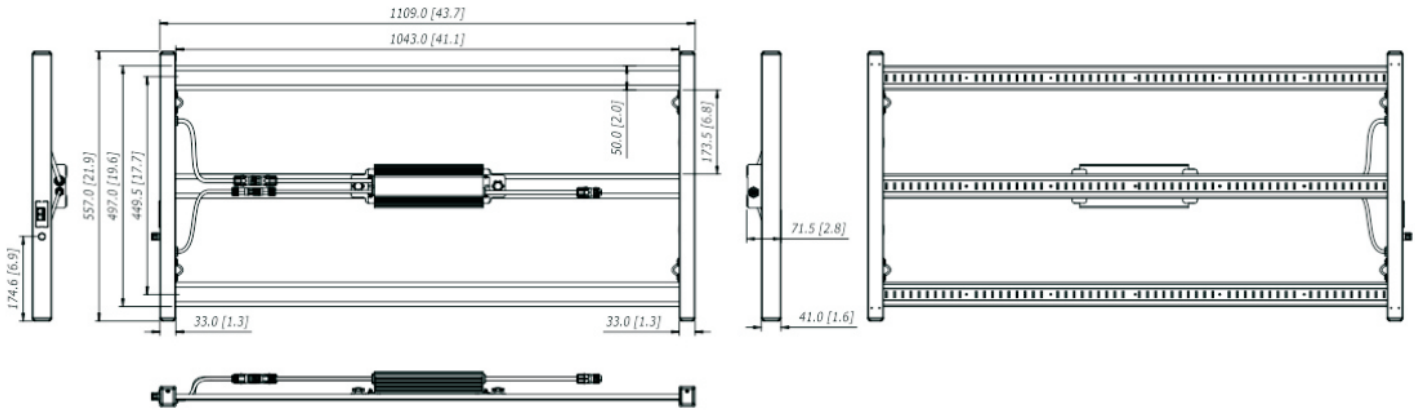
**FC CE RoHS**

## Accessories Contents



- A: Metal Hanging Eye Bolt (4 pcs)
- B: 21.26" (54cm) Stainless Steel Ropes (4 pcs)
- C: Mounting Hooks (2 pcs)
- D: Adjustable Ratchet Hangers (2 pcs)
- E: Konb screws for Fixing LED Driver Box (4 pcs)
- F: AC Power Cord and Plug (1 pc)

# Dimension & Weight



Fixture Dimension:  
 1109mm X 557mm X 71.5mm  
 (43.67" X 21.93" X 2.81")

Luminaire+Driver Box	
Carton Size	118cm X 64cm X 12cm 46.46" X 25.2" X 4.72"
Weight	6.6 kgs
Qty. / Ctn.	1 pieces

## Safety Warnings

- Warning!** The installer is responsible for correct and safe installation.
- Warning!** Do not connect or disconnect the fixture with the driver box while under load.
- Warning!** Mount the system to something that can hold the weight of the LED fixture.
- Warning!** Do not touch the leds to avoid damage.
- Warning!** Switch off the mains power before installation.

