

SQUARE TRI-PROOF LIGHT

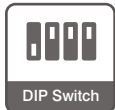


Product Information

Our Square Tri-proof Light is designed following EPD standards, allowing for easy replacement of the LED board and driver, ensuring long-term sustainability. It supports quick and easy wiring and installation. The DIP switch allows for power and CCT adjustability, helping to reduce storage costs by offering multiple configurations in a single product. This versatile luminaire is ideal for general indoor applications, offering both efficiency and flexibility.

Product Feature

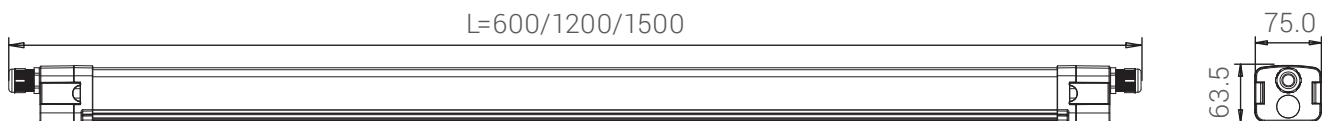
- Sustainable Design;
- Quick and Easy Wiring;
- DIP Power Switch;
- DIP CCT Adjustable(Optional);
- Easy Replacement of LED Board and Driver;
- Wiring Through Upon Request.



Datasheet

Product Code	LS040WSTP12	LS060WSTP15
Dimension	1200 × 74 × 60.5MM	1500 × 74 × 60.5MM
Power Consumption	40W	60W
Power Adjustable	22W-28W-34W-40W	34W-42W-51W-60W
LED Quantity	240pcs	364pcs
Luminaire Efficacy	140LM / W	140LM / W
Led Spec.	LM80 approved 2835LED	
CCT	4000K / 5000K / 6000K	
CRI	>80	
SDCM	<3	
Beam Angle	120 Degree	
Driver Brand	Lifud Driver	
Input Voltage	AC220 ~ 240V	
Power Factor	>0.95	
IP Rate & IK Rate	IP65 & IK10	
Working Temp	-25°C ~ 45°C	
L90 Lifespan	>50,000 Hours	
Warranty	5 Years	

Dimensions (mm)

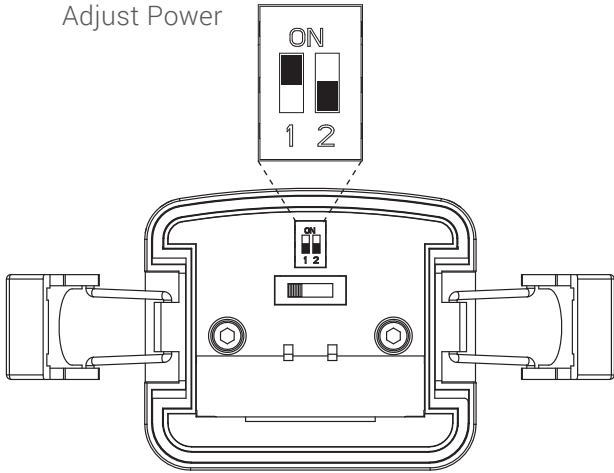


Packaging

Product Code	LS040WSTP12	LS060WSTP15
Carton Size	133*38*24CM	163*26*24CM
Weight	11.3KG	9.5KG
Qty./Ctn.	6 Pieces	4 Pieces

Setting

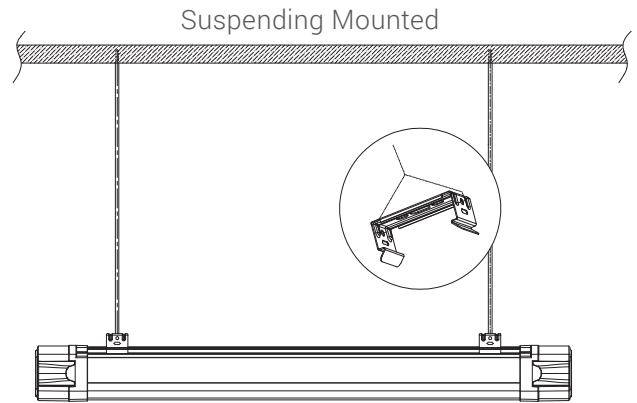
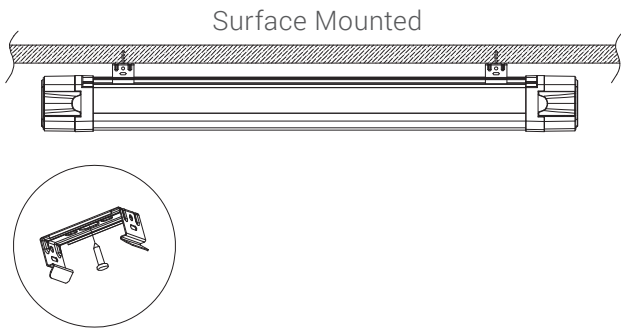
Adjust Power



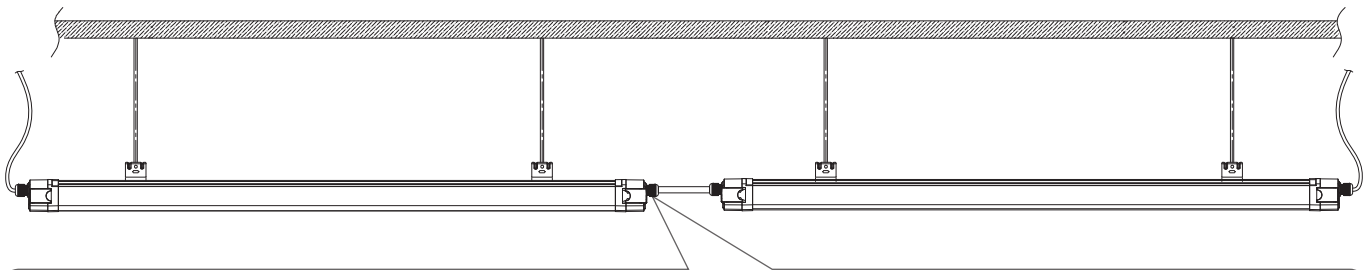
PIN1	PIN2	Rated(mA)
OFF	OFF	200
ON	OFF	250
OFF	ON	300
ON	ON	350

Driver(W)	Rated(mA) 200mA	Rated(mA) 250mA	Rated(mA) 300mA	Rated(mA) 350mA
40W	23W	28W	34W	40W
60W	34W	42W	51W	60W

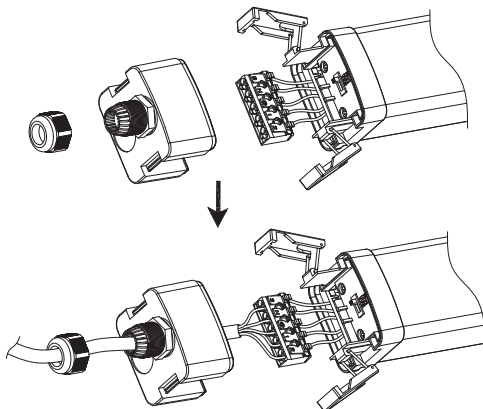
Mounting Options



Wiring Options



AC Input



- Live(L3) — [3]
- Neutral(N) — [N]
- Earth(E) — [⚡]
- Live(L1) — [1]
- Live(L2) — [2]